

LOW VOLTAGE TRANSFORMERS



230V-240V M3000 apparatus

1 LV output with 0 V - 16 V
electronic controller

Metallic box apparatus
Dimensions : 130 x 90 x 145 mm
230 V - 240 V 50/60 Hz 48 VA
One switching indicator light
Weight : 2 Kg 300

Delivered without any handle



230V-240V M6000 apparatus

2 LV outputs with 0 V - 21V
electronic controller

Metallic box apparatus
Dimensions : 215 x 185 x 80 mm
230 V - 240 V 50 Hz
One indicator light on each LV
Weight : 4 Kg 200

Delivered without any handle

ACCESSORIES

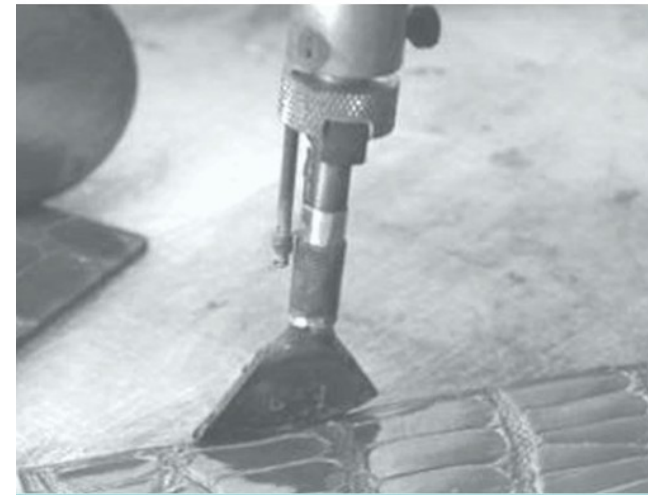
- **Cork handle réf. 1002**
(29 mm diameter) cord 1M50 long
- **Cork handle réf. 1022**
(22 mm diameter) cord 1M50 long
- **Wooden handle réf. 1006**
(29 mm diameter) cord 1M50 long
- **Curved wooden handle réf. 1007**
(29 mm diameter) cord 1M50 long
- **Wooden rest for handle**
- **Wooden rest for irons**



Made in France since 1936

Electrical tools

for the finishing of fine leather goods



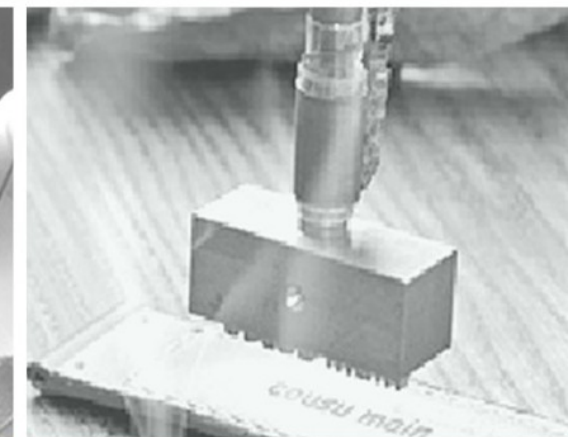
Creasing



Burning & polishing
the edge



Cutting & Welding
nylon thread



Stamping

Ets **REGAD**

Electrical tools since 1936

FINISHING TOOLS

The finishing of fine leather goods is an important feature of distinction and quality.

Whether for threading, pattern making, polishing leather or hardening edges, our equipment provides specific solutions for each operation.

Our fine leather equipment combines the efficiency of electrical and heating technologies with the traditional craft of leather making.

It brings with it the benefit of long experience in design and manufacture. The electrical supply and heating resistances comply with current standards and the accessories have all been the subject of meticulous research and testing.

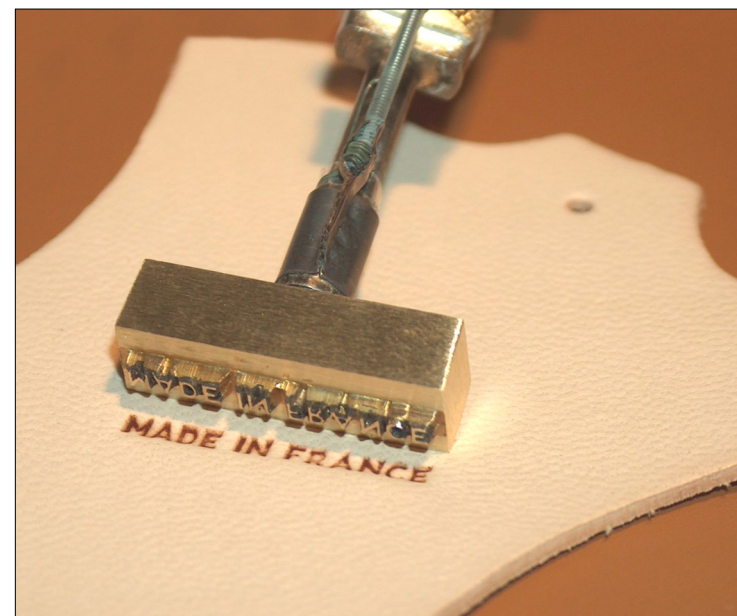
The shape of the irons specially designed for each application is machined with precision.

The heated points and cutters will rapidly become indispensable in your workshops for cutting and soldering synthetic fibres.

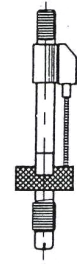

In this document you will find standard equipment.

If you require adaptations for special models we shall be pleased to work these out with you and to produce them for you.

Highly reputed firms have used our equipment for many years and their articles bear the imprint of our heat stamping equipment.



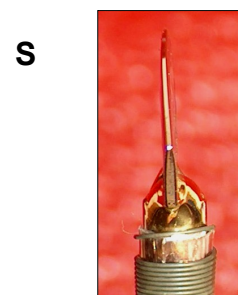
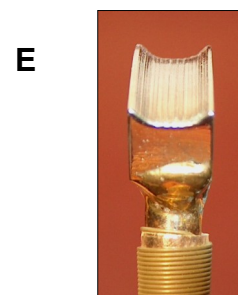
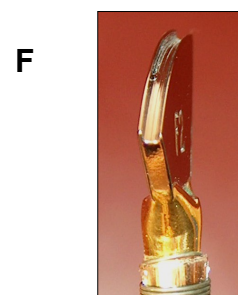
STAMPING YOUR LOGO

	
MARQUE A CHAUD	GRIFFE LAITON OU ACIER
To fit with brass brand	

Each shape has been designed and tested in order to offer maximum efficiency and precision. The choice of accessories and temperature adjustments combined with the know-how of the user makes for the best possible finishing.

FINE LEATHER IRONS

All these irons are made entirely of steel and are carefully polished before being fitted with their heating resistance. They are fitted to 1002 and 1006 reference handles. The low voltage M3000 or M6000 are designed to give maximum output and to provide absolute safety.



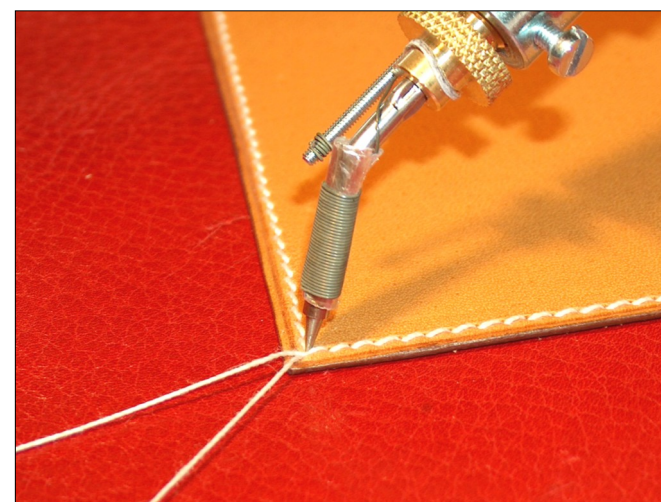
FERS A FILETS A GUIDE Réf. F			
Ref	Distance from the edge of leather	Ref	Distance from the edge of leather
F 1	0,5 mm	F 4	3,5 mm
F 1,5	1 mm	F 4,5	4 mm
F 2	1,5 mm	F 5	4,5 mm
F 2,5	2 mm	F 5,5	5 mm
F 3	2,5 mm	F 6	5,5 mm
F 3,5	3 mm		

FERS D'EPAISSEUR Réf. E			
Ref	Width of groove	Ref	Width of groove
E 1	1 mm	E 4	4 mm
E 1,5	1,5 mm	E 4,5	4,5 mm
E 2	2 mm	E 5	5 mm
E 2,5	2,5 mm	E 5,5	5,5 mm
E 3	3 mm	E 6	6 mm
E 3,5	3,5 mm		

FERS SIMPLES PLEIN CUIR Réf. S			
Ref	Width of line	Ref	Width of line
S 0,5	0,5 mm	S 3,5	3,5 mm
S 1	1 mm	S 4	4 mm
S 1,5	1,5 mm	S 4,5	4,5 mm
S 2	2 mm	S 5	5 mm
S 2,5	2,5 mm	S 5,5	5,5 mm
S 3	3 mm	S 6	6 mm

Special irons for cutting and welding nylon thread :

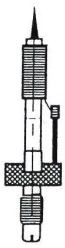

- **ref. 121**
(1 mm diameter)
- **ref. 122 L**
(3 mm diameter)
- **bent iron ref. 122 LC**
(3 mm diameter)
- **bent iron ref. 142 C**
(2 mm diameter)



Bent iron 142 C

		
SPATULE A CIRE	PALETTE CHAUFFANTE INOX	FER MAILLOCHE
Dimensions 40 mm x 12 mm Thickness : 1,5 mm	For burning the edge of leather	For polishing leather

CUTTING AND SOLDERING SYNTHETIC FIBRES

	
FER POINTE Ref. 122 L	FER COUPEAU
For cutting and soldering nylon thread	For cutting and soldering straps or synthetic zips